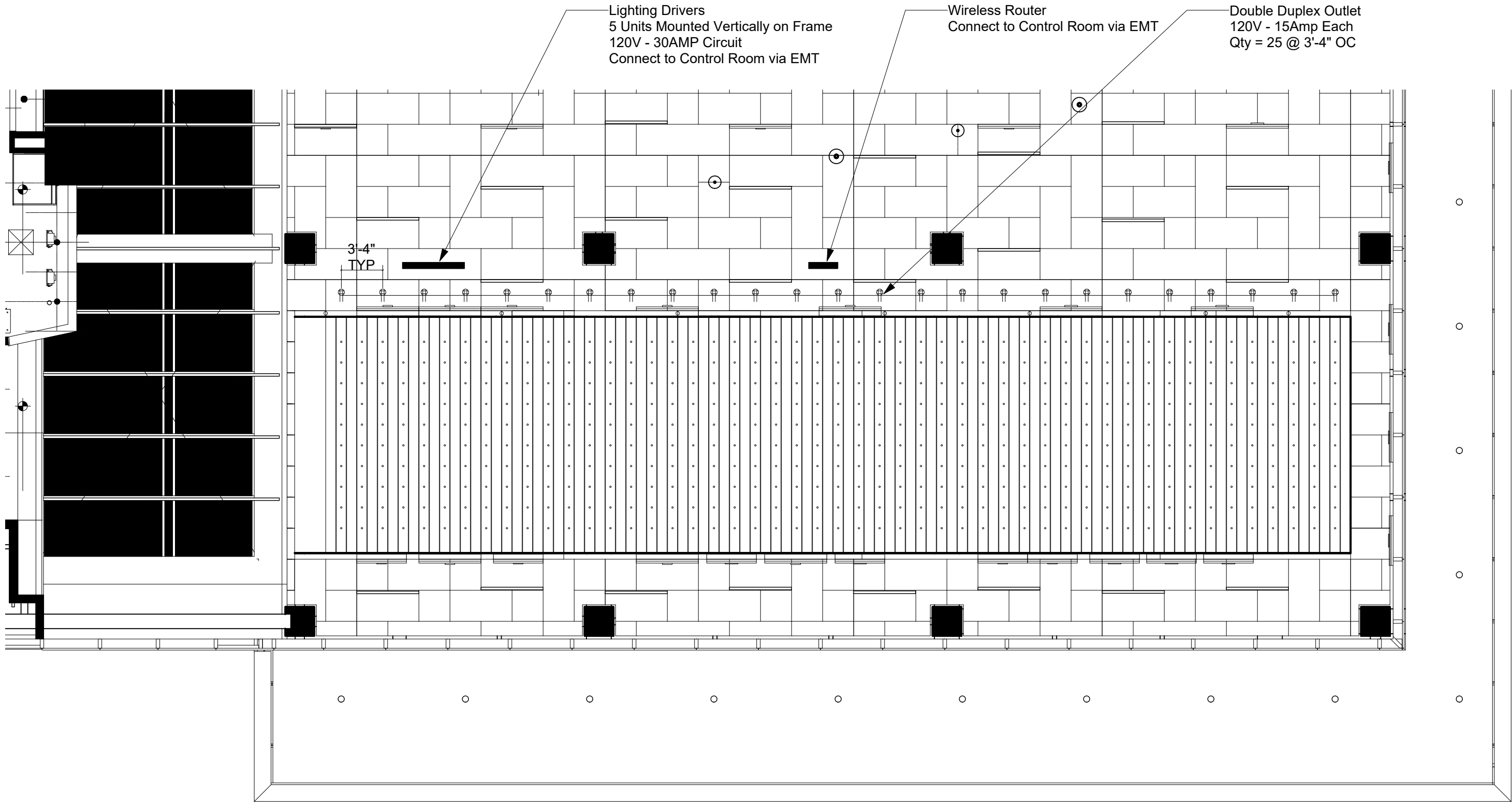
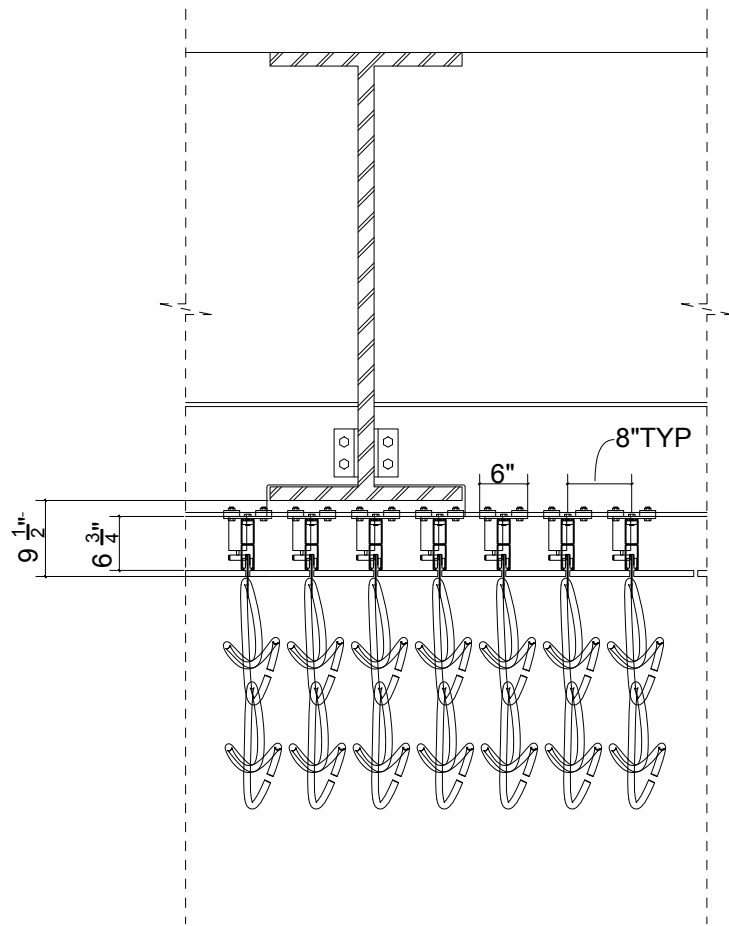


Current Conditions
Prototype Charrette

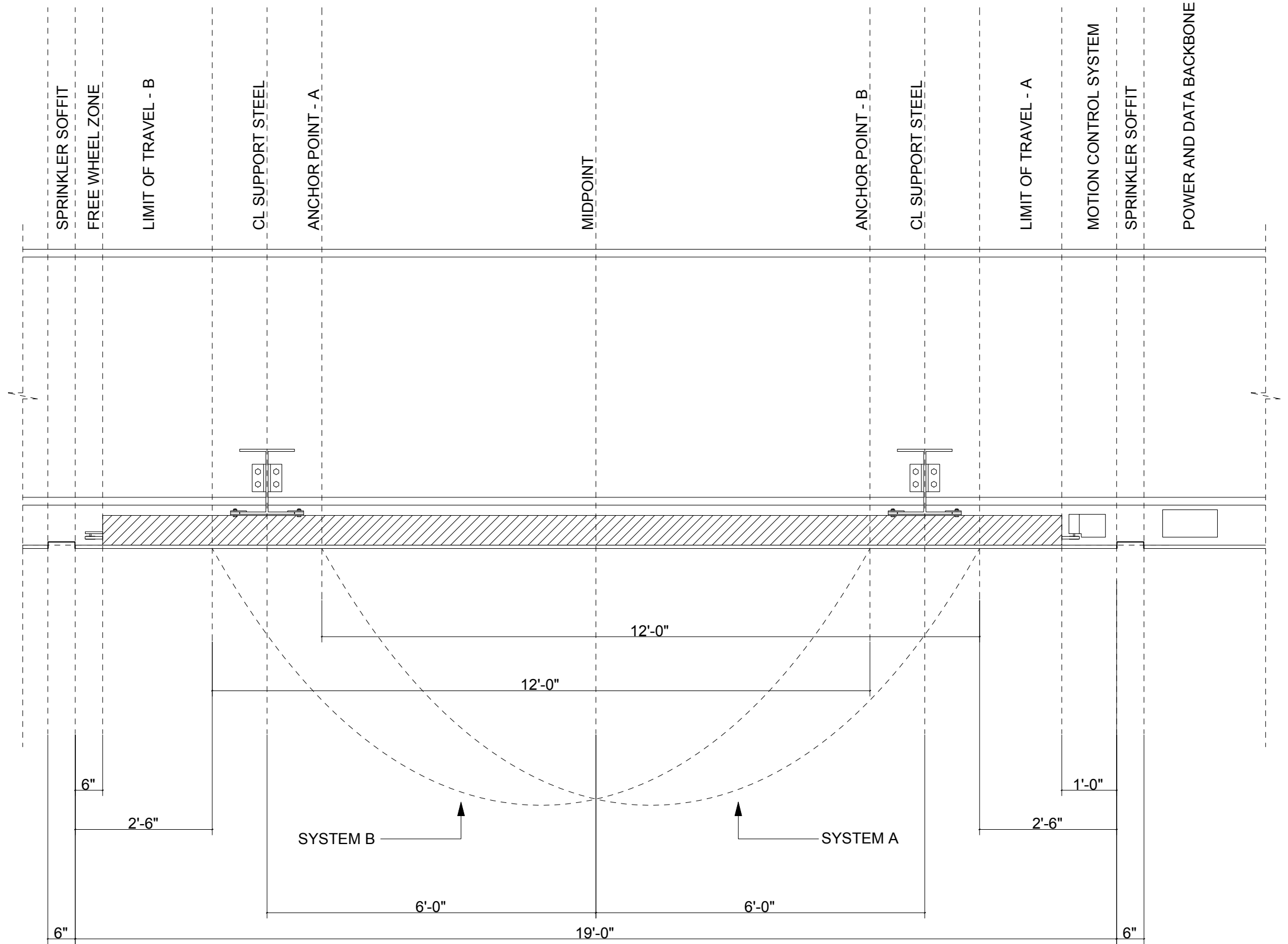
Formations Studio
Atlanta, Georgia
October 9, 2019



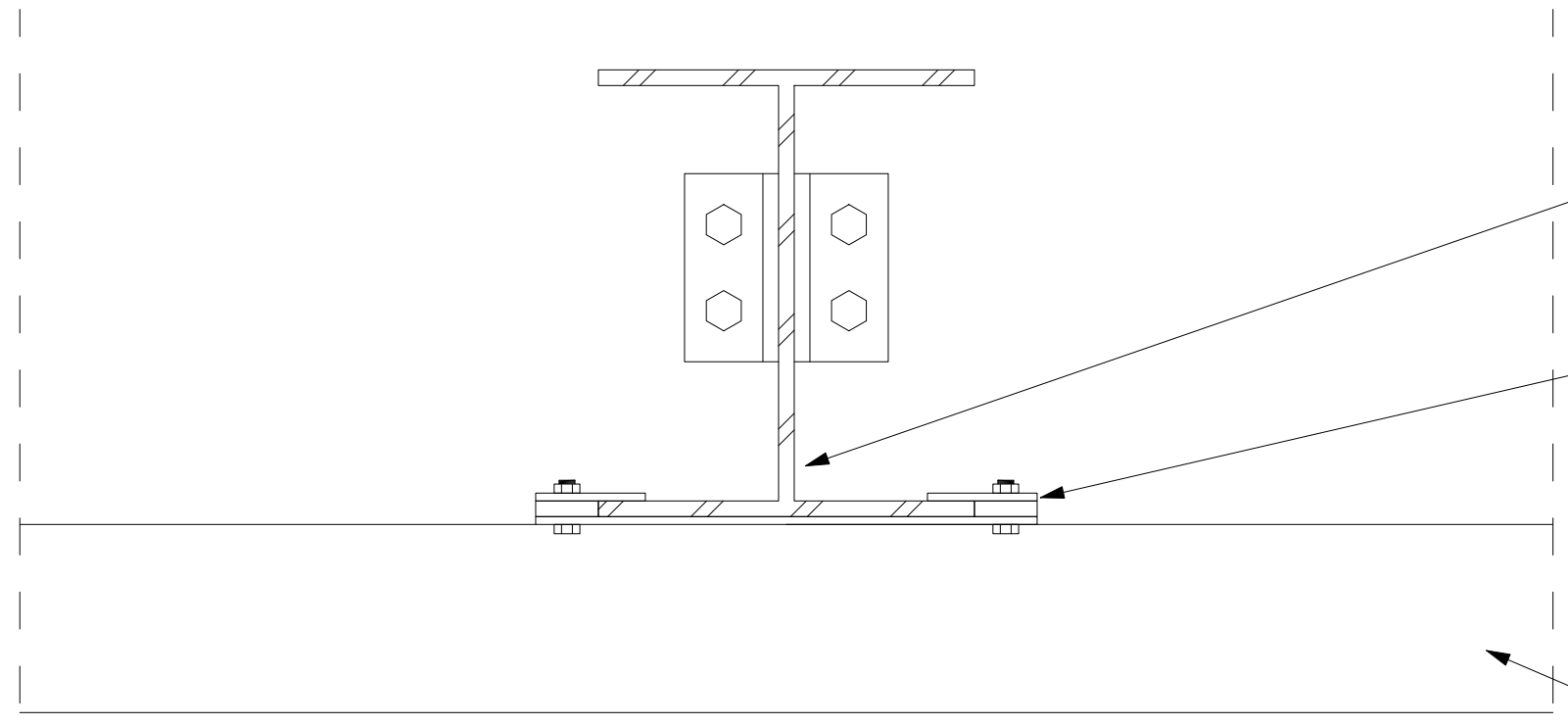
1 RCP - 10" Spacing - 490 Light Nodes
 A1.1 Scale: 1/8"=1'



1 | Transverse Section Diagram
A2.0 | Scale: 1/2"=1'



2 | Longitudinal Section Diagram @ Beam and Edge
A2.0 | Scale: 1/2"=1'

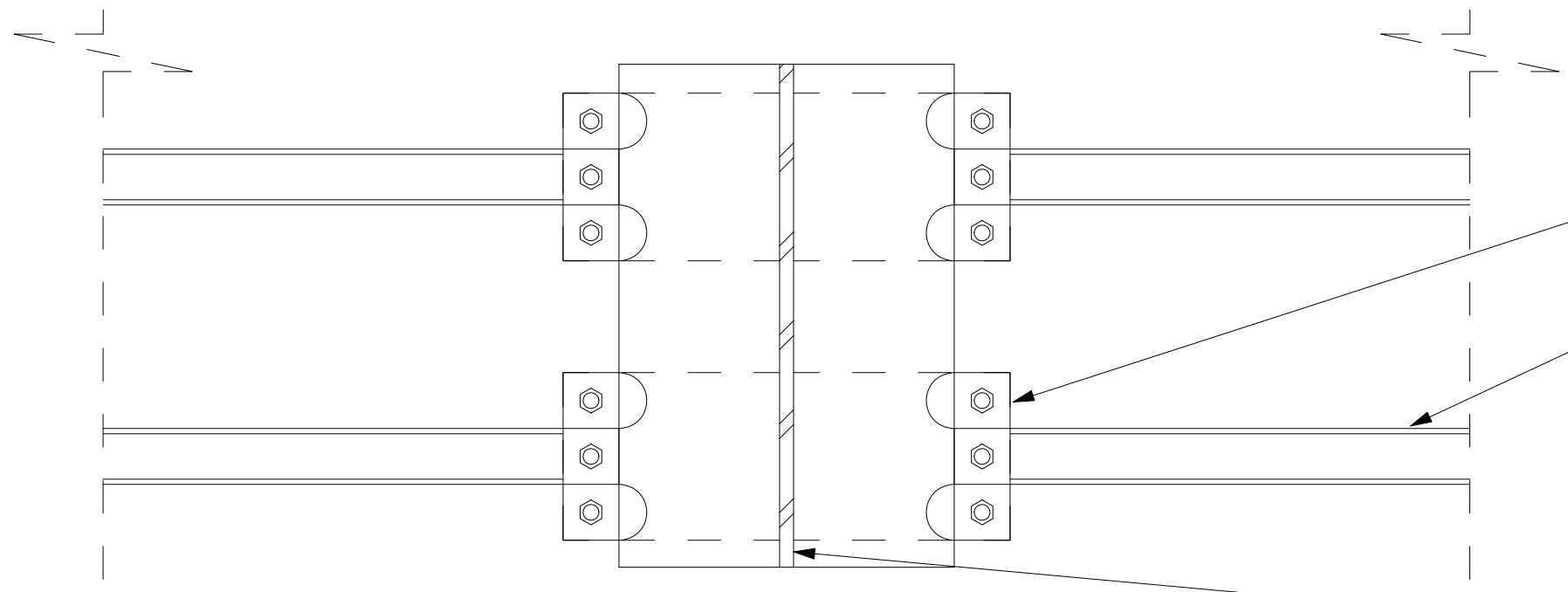


Misc Support Steel

Beam Clamp

Unistrut Rail

1 | Beam Clamp - Section View
A5.0 | Scale: 2"=1'



Beam Clamp

Unistrut Rail

Misc Support Steel

2 | Beam Clamp - Plan View
A5.0 | Scale: 2"=1'